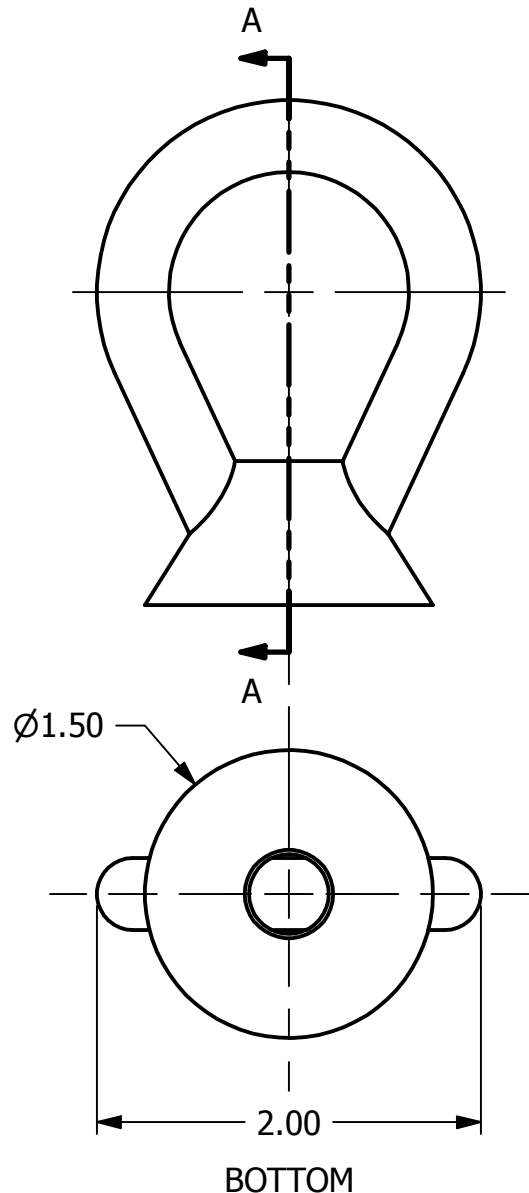


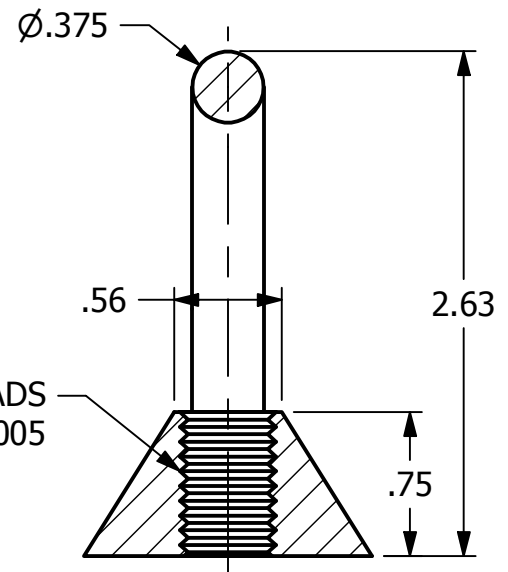
B

A

SALES DRAWING



1/2"-13 UNC THREADS
OVERSIZED -.005



SECTION A-A
SCALE 1 : 1

B

A

SALES DRAWING

UNLESS OTHERWISE SPECIFIED DIMENSIONAL TOLERANCES FRACTIONAL: ±1/16 X.XX: ±.03 X.XXX: ±.015 ANGULAR: ±1° DEBURR ALL SHARP EDGES. ALL MACHINED SURFACES TO HAVE A 125 RMS FINISH UNLESS NOTED OTHERWISE. THIRD ANGLE PROJECTION	DRAWN BY:	JWO	REV BY DATE DESCRIPTION		
	CHECKED BY:				
	PROTOTYPE BY:	JWO	PART NAME:		
	PROTOTYPE DATE:	6/14/1995	EYE NUT		
	APPROVED FOR PRODUCTION BY:		MATERIAL: 304 SS		
PRODUCTION DATE:		PROJECT #:	SHEET #: 1 OF 1	SCALE: 1:1	
		DRAWING #:	PART #:		
		A5986	YSD2EN		

THIS PRINT, PROPERTY OF SALCO PRODUCTS INC, CONTAINS PROPRIETARY INFORMATION AND MUST NOT BE COPIED, REPRODUCED, OR USED DETRIMENTALLY TO OUR INTEREST.

2

1

2

1